

Invitation for Bids

RE-Tender Notice No.:8-1/075-76
(First date of publication:2075/06/22 (2018/10/08))

1. **Udayapur Cement Industries Ltd.** re-invites sealed bids from eligible bidders for the procurement of Hydraulic Coupling at Plant site, Jaljale, Udayapur.
2. Eligible bidders may obtain further information and inspect the bidding documents at the head office of Udayapur Cement Industries Ltd., Jaljale Udayapur. Telephone No. 035-411012, Email: procurement@ucil.org.np
3. Bidding documents may be purchased from the above office of Udayapur Cement Industries Ltd. by eligible bidders on the submission of a written application along with the Notarized copy of firm registration, VAT certificate and Tax clearance certificate of F/Y 2073/74 from Notary Public office and upon payment of a non-refundable fee of NRs.**3000.00 (Three Thousands) only**. Or, the bidder who wishes to bid through electronically or e-bidding shall visit the website <http://www.ucil.org.np> > eprocurement system and may download bidding document and submit them.
4. Three sets of sealed Bid documents (One original + Two copies) as per ITB 22.1 must be submitted to the office of Udayapur Cement Industries Ltd., Jaljale, Udayapur as below: on or before 14:00 PM on **22nd Oct. 2018 (2075/07/05)**. Documents received after this deadline shall not be accepted.
5. Bids shall be opened in the presence of Bidders' representatives who choose to attend on 15:00 PM on **22nd Oct. 2018 (2075/07/05)** at the office of Udayapur Cement Industries Ltd., Jaljale, Udayapur. Bids must be valid for a period of 90 days counting from the day of bid opening and must be accompanied by bid security, amounting to a **minimum of 2.5% for Nepalese bidders and 5% for foreign bidders, of the quoted Bid amount (exclusive of VAT)** valid up to 120 days from the date of bid opening.
6. If bidder wishes to submit the Cash Security, the cash shall be deposited in Current Account No. of Sunrise Bank Ltd., Udayapur Branch, Jaljale, Udayapur: 02910096430012 or Global IME Bank Ltd., Udayapur Branch, Gaighat, Udayapur: 2201010000167 or NIC Asia Bank Ltd., Udayapur Branch, Gaighat, Udayapur: 4041230167524001 or RastriyaBanijya Bank Ltd., Gaighat, Udayapur: 209000053601 or Nepal Investment Bank Ltd., Gaighat, Udayapur: 03501040250283 or in any convertible currency in the form of bank draft in favor of UCIL and submit the receipt of the deposited amount of cash along with the tender document.
7. If the last dates of purchase, submission and opening fall on UCIL holidays, then the next working day shall be considered as the last day without any change in time and place. In such a case, the bid validity and bid security validity shall be recognized with effect from the original bid submission deadline.
8. UCIL may add any additional information as required for providing information to the bidders. But this additional information should not be in contrary to other provisions of the bidding document.
9. Udayapur Cement Industries Ltd. reserves the right to accept or reject, wholly or partly any or all the bids without assigning reason, whatsoever.



Technical Specifications

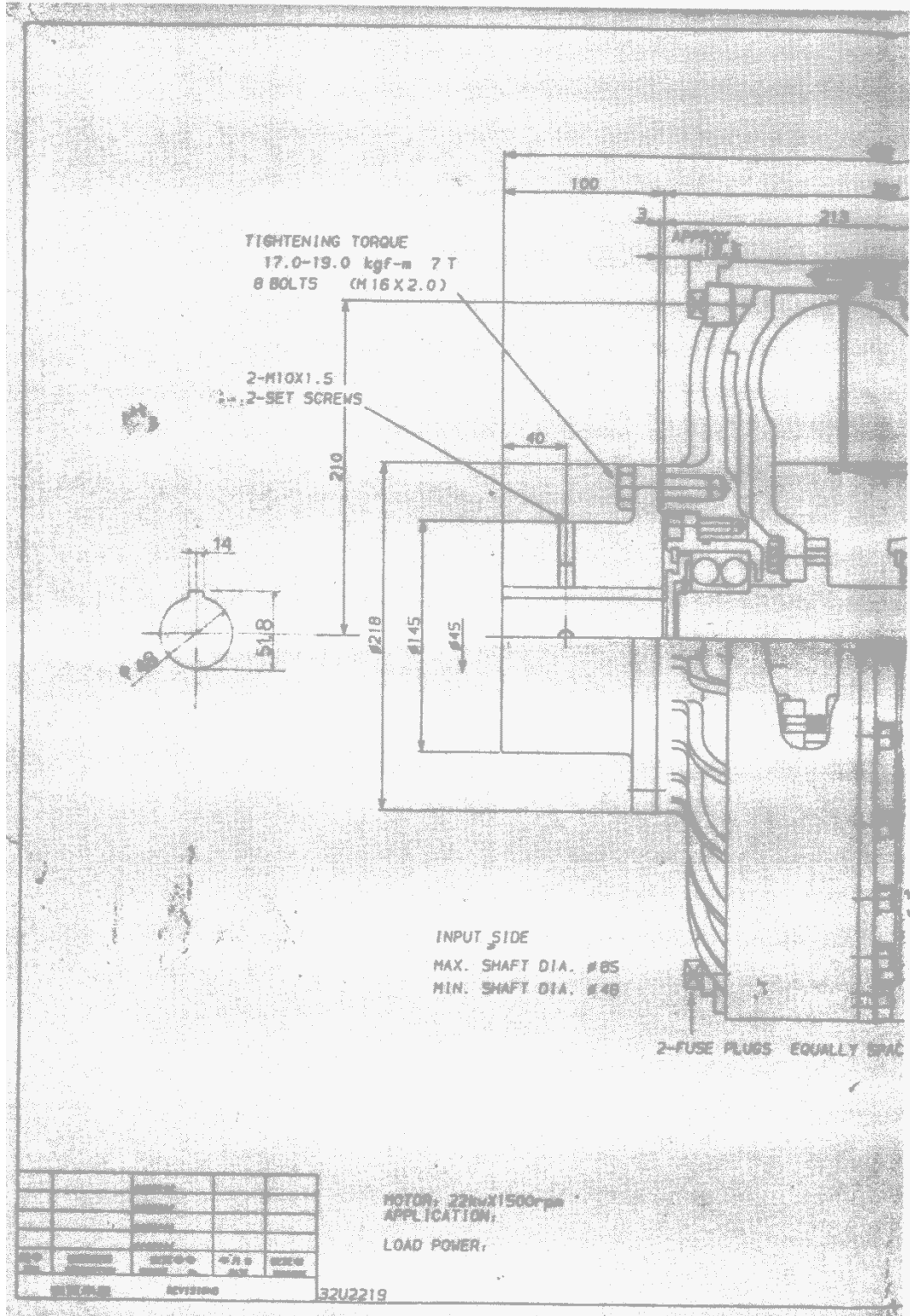
The following technical specifications' compliance should be filled by the bidder for T. No. 8-1/075-76Hydraulic Coupling

Item No.	Name of Goods or Related Services	Technical Description, Specifications, and Standards		The Bidder shall state as Fully compliant/Partially compliant/Non-compliant
		Specifications	Requirements	
1.	2.	3.	4.	5.
1.	Hydraulic Coupling	16.5 FMF-E	1 Pc	
2.	Hydraulic Coupling	FAKB342 Sond (Fluid Coupling)	1 Pc	
Use in Reclaimer Rake Card				



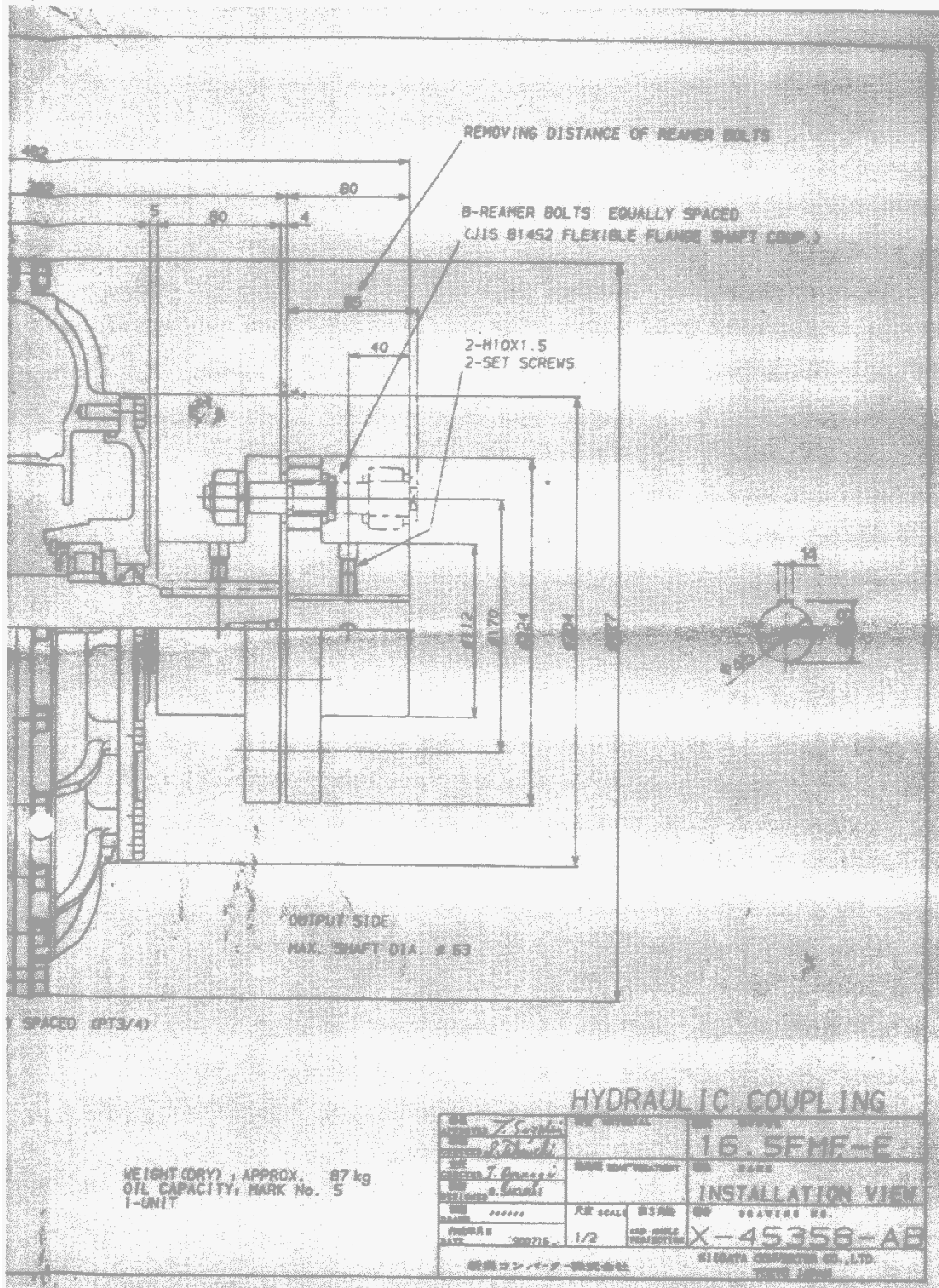
Handwritten signature

Part No = 1



Handwritten signature

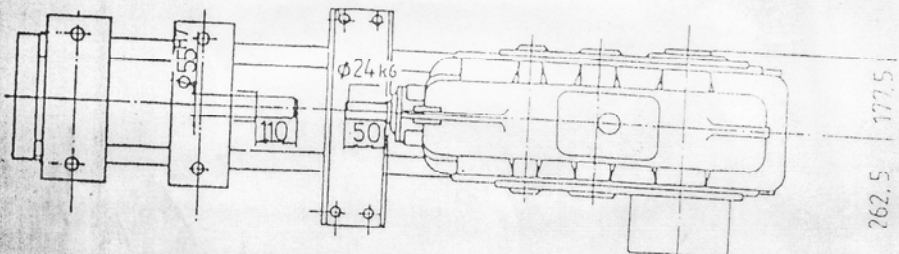
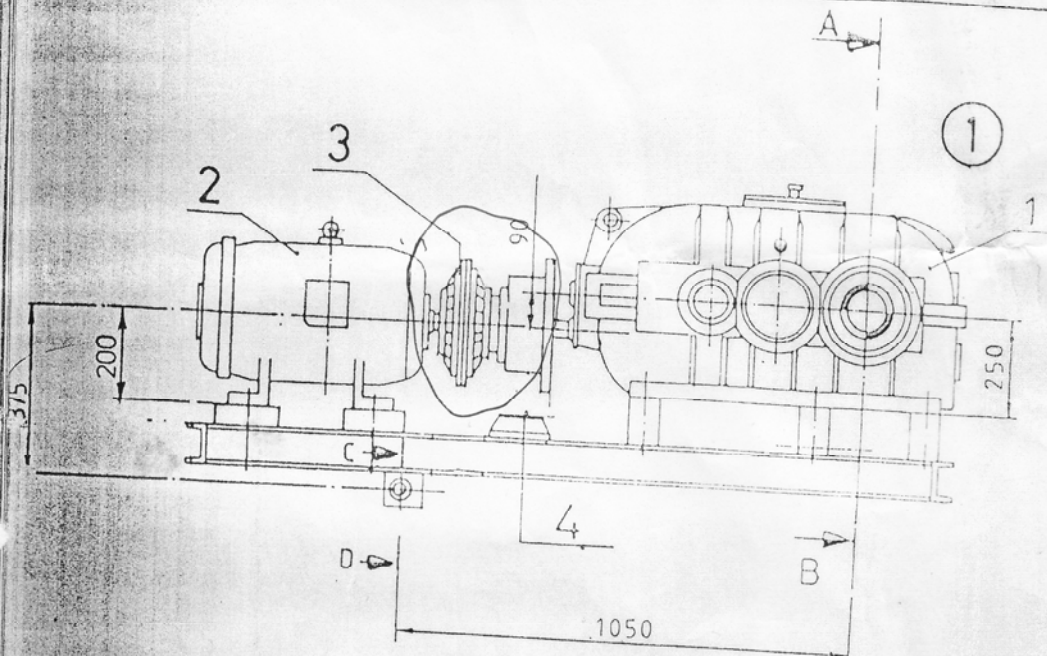
Part No: 2



WEIGHT (DRY), APPROX. 87 kg
OIL CAPACITY, MARK No. 5
1-UNIT



Handwritten signature or mark in blue ink.



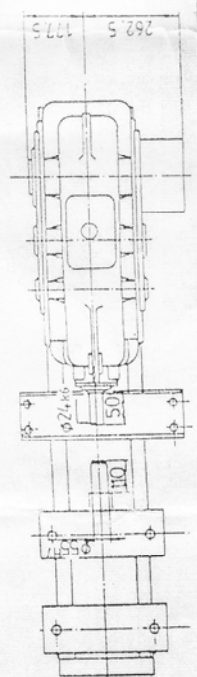
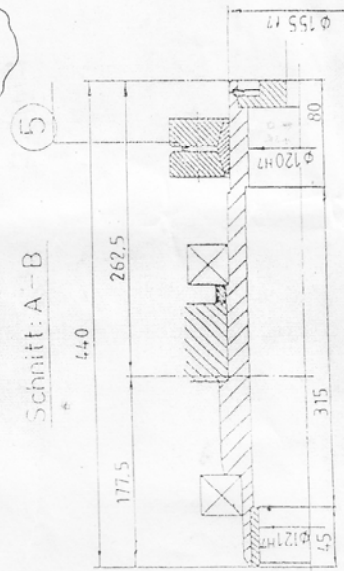
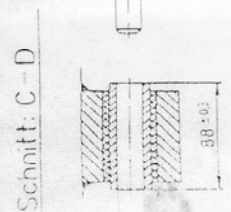
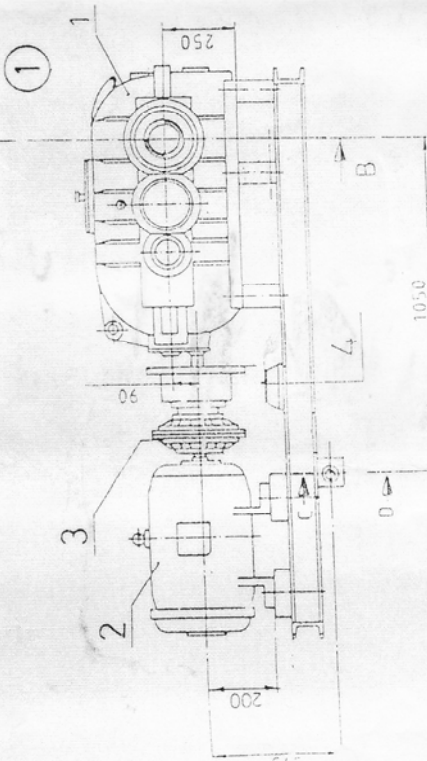
1	GETRIEBE	GEAR	KDA 225; i=96,7	FLENDER
2	MOTOR	MOTOR	QU 200 L4 AK	ABB 30 kW 1465 1/m
3	HYDRAULIKKUPPLUNG	HYDRO COUPL.	FAKB 342 Sond.	FLENDER
4	BREMSE m. Brems = scheibe	BRAKE w. brake disk	SB 17M - 356 x 12,7	BUBENZER
5	SCHRUMPFSCHEIBE	SHRINK DISK	HSD 155 - 22	STÜWE



Э.А. Сокут



31113021105



DRIVE UNIT RAKE CAR

1	GETRIEBE	GEAR	KDA 225; i=96.7	FLENDER	30 KW 1465 1/min
2	MOTOR	MOTOR	QU 200 L4 AK	ABB	
3	HYDRAULIKKUPPLUNG	HYDRO COUPL.	FAKB 34.2 Sond.	FLENDER	
4	BREMSE m. schiebe	BRAKE w. disk	SB 317 M 356 x 17.7	BUBENZER	
5	SCHRUMPFSCHEIBE	SHRINK DISK	HSD 155-22	STÜWE	



MASCHINEN U.
VERFAHRENSTECHNIK
8338 DILLINGEN

0107 1435 3
ANTRIEBSGRUPPE
RECHENWAGEN

Qualification Criteria

- a) The offered **Hydraulic Coupling** shall be latest and in current production for a minimum of 2 years.
- b) The manufacturer must have experience in producing the similar model for a minimum of 2 years.
- c) The Bidder/Authorized Dealer/Manufacturer shall have a minimum of last **three (3)** years' overall experience in the supply of Goods and related services.
- d) The Bidder/Authorized dealer/Manufacturer shall submit the average annual turnover during last two years.
- e) The Bidder / Manufacturer shall submit minimum amount of liquid assets or working capital or credit facility.
- f) The Net worth of the Bidder should be positive as on the end of Current Fiscal year.
- g) The latest audited Balance Sheet of last two years should be attached with the bid to justify the reputation and financial worthiness of the Bidder.
- h) The bidder shall furnish a list of users who had purchased same/similar goods in last 2 years.
- i) All pending claims, arbitration, or other litigation shall represent in total not more than 50 (fifty) percent of the Bidder's net worth.



LIST OF BANK ACCOUNTS

S. No.	Commercial Bank	Location	Current A/C No.
1.	Sunrise Bank Ltd, Udayapur Branch.	Jaljale, Udayapur	02910096430012
2.	Global IME Bank Ltd., Udayapur Branch.	Gaighat, Udayapur	2201010000167
3.	NIC Asia Bank Ltd., Udayapur Branch.	Gaighat, Udayapur	020000021C/404123016 7524001
4.	RastriyaBanijya Bank Ltd.	Gaighat, Udayapur	209000053601
5.	RastriyaBanijya Bank Ltd.	Bishal Bazar, KTM.	109006005501
6.	Nepal Bank Ltd.	Gaighat, Udayapur	1720000001301
7.	Nepal Bank Ltd.	Lahan, Siraha.	0036-11-0004977
8.	Agricultural Development Bank Ltd.	Gaighat, Udayapur	1104600554630011
9.	Nepal Investment Bank Ltd.	Gaighat, Udayapur.	03501040250283





उदयपुर सिमेण्ट उद्योग लि.को
म्याद थप सम्बन्धि सूचना ।
प्रकाशित मिति २०७५/०६/२६(२०१८/१०/१२)

उद्योगको तपशिल अनुसार बोलपत्र/शिल्ड कोटेशनमा उल्लेखित सामान खरिदको लागि प्रकाशित सूचनाको म्याद थप गरी खुल्ने मिति देहाय बमोजिम कायम गरिएको छ । सोको विस्तृत विवरण उद्योगको Website: ucil.org.np मा हेर्नु हुन समेत सम्बन्धित सबैको जानकारीको लागि यो सूचना प्रकाशन गरिएको छ ।

सि.नं.	बोलपत्र नं.	सामानको नाम	बोलपत्र अनुसार	संशोधन गरिएको
1	TN-12-1/075/76	Mini Bus	2075/07/07	2075/07/12
2	TN-13-1/075/76	Supply and Erection of Telecommunication Cable (99D-Cmp) from Ropeway unloading station to bhantawari K 2 station (Approxx6km) in full turn key basis	2075/07/07	2075/07/12
3	TN-8-1/075/76	Hydraulic Coupling	2075/07/05	2075/07/12
4.	S.Q No. 23/075-76	Consultancy for the Research Design, Drawing, Engineering and Modification of Kiln hood/ cooler to Precalciner Rising Duct/ Cyclone for the Re-use of Hot Air and capacity enhancement	2075/07/07	2075/07/12

